

Settings

Herkules 2



Establishing the connection to the remote control

Press key **G** on the remote control. If the connection has been established successfully, **G** and one of the keys **1 to 7** light up (address of the detector).

If **G** flashes, the connection could not be established.

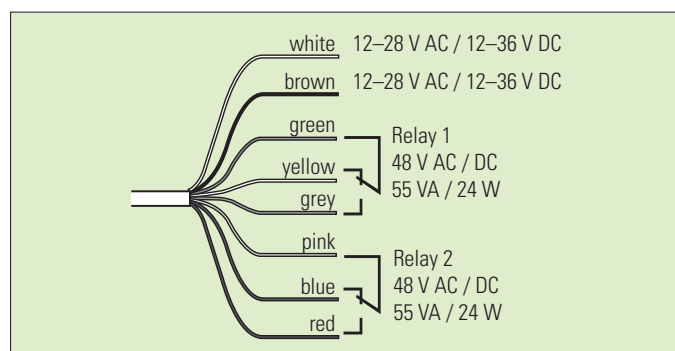
- Hold the remote control closer to the detector and point directly at it.
- Check the batteries in the remote control.

General

Flashing keys on the remote control mean that the Herkules 2 has not stored the programming that has been performed.

Steady lit keys on the remote control mean that the value has been accepted and stored by Herkules 2.

Electrical connections



Configuration mode

The connection between the remote control and Herkules can only be established when the detector is in configuration mode. Configuration mode is activated when the detector is switched on. This is deactivated automatically 30 minutes after the last setting has been made.

Configuration mode can be activated by

- without remote control:
 - pressing any key on detector (x or y)
 - interrupting electrical power supply
- with remote control:
 - via access code on remote control

Enhanced functions

Keys	C+1 Standard	C+2 Frontal	C+3 High-speed	C+4 Sensitive	C+5* Standard	C+6 Frontal	C+7 High-speed	C+8 Sensitive
Object detection	All				Person/vehicle identification, people suppression			
Industrial door type	Standard	Standard	High-speed industrial door	Standard	Standard	Standard	High-speed industrial door	Standard
Application	Standard	Main traffic frontal	High-speed industrial door	Detects slow objects	Standard	Main traffic front	High-speed industrial door	Detects slow objects
B: Wide field	Level 2 Off	Level 2 Off	Level 2 Off	Level 2 Off	Level 2 Off	Level 2 Off	Level 2 Off	Level 2 Off
D: Field size	Level 6	Level 6	Level 6	Level 8	Level 6	Level 6	Level 6	Level 8
E+1: Direction recognition	Level 1 forwards	Level 1 forwards	Level 1 forwards	Level 1 forwards	Level 1 forwards	Level 1 forwards	Level 1 forwards	Level 1 forwards
E+2: Relay parameterisation	Level 5 R2: forwards R1: backwards	Level 5 R2: forwards R1: backwards	Level 8 R2: forwards R1: backwards	Level 5 R2: forwards R1: backwards	Level 1 R2: Vehicle R1: Person	Level 1 R2: Vehicle R1: Person	Level 6 R2: Vehicle R1: –	Level 1 R2: Vehicle R1: Person
F1: Relay hold interval	Level 4 2 s	Level 4 2 s	Level 4 2 s	Level 4 2 s	Level 4 2 s	Level 4 2 s	Level 4 2 s	Level 4 2 s
F3: SMD	Level 1 Off	Level 2 Weak	Level 1 Off	Level 8 Strong	Level 1 Off	Level 2 Weak	Level 1 Off	Level 8 Strong
F5: Cross traffic	Level 1 Off	Level 6 Medium	Level 1 Off	Level 2 Weak	Level 1 Off	Level 6 Medium	Level 1 Off	Level 2 Weak
F6: Digital filter function	Level 2 Off	Level 2 Off	Level 2 Off	Level 2 Off	Level 2 Off	Level 2 Off	Level 2 Off	Level 2 Off
F7: SMD-field	Level 1 Small	Level 5 Medium	Level 1 Small	Level 5 Medium	Level 1 Small	Level 5 Medium	Level 1 Small	Level 5 Medium
F8: Address	From DIP Switch	From DIP Switch	From DIP Switch	From DIP Switch	From DIP Switch	From DIP Switch	From DIP Switch	From DIP Switch

* Factory settings

Configuration of individual parameters with remote control

Parameter	Key code	Level	Short description
Request access code	C+9	Display 1 Display 2	Code saved No Code
Set Code Enter Code Delete Code	C+9	XXXX+C XXXX+C 9999+C	Number from 1111–9998 and confirm with C Enter selected code and confirm with C Code deleted
Address settings	F+8		interrogate target address
		5–7	setting address 5–7
		9	read in address from DIP-Switch
Enhanced function	C	1–8	See table of enhanced functions
Mounting height	F+4	1	2.0 – 2.4 m
		2	2.5 – 2.9 m
		3	3.0 – 3.9 m
		4*	4.0 – 4.9 m
		5	5.0 – 5.9 m
		6	6.0 – 6.9 m
		7	7.0 m
Field size	D	1–3	Small
		4–6*	Medium
		7–9	Large
Relay hold interval	F+1	1	0.2 s
		2	0.5 s
		3	1.0 s
		4*	2.0 s
		5	5.0 s
Direction recognition	E+1	1*	Forwards
		2	Backwards
		3	Forwards and backwards
Relay parameterisation	E+2	1*	Standard industrial door, differentiation between people and vehicles
		2	Standard industrial door, people suppression
		3	Standard industrial door, vehicle suppression
		4	Standard industrial door, people and vehicles, same output
		5	Standard industrial door, people and vehicles, outputs with direction segregation
		6	High-speed industrial door, people suppression
		7	High-speed industrial door, people and vehicles, same output
		8	High-speed industrial door, people and vehicles, outputs with direction segregation
CTM Crossing traffic masking	F+5	1*	Off
		2–3	Low
		4–6	Medium
		7–9	High
Wide field	B	1	On
		2*	Off
Slow Motion Detection	F+3	1*	Off
		2	0.5 s
		3	1.0 s
		4	1.5 s
		5	2.0 s
		6	0.5 s
		7	1.0 s
		8	1.5 s
		9	2.0 s
SMD field size	F+7	1*–3	Small
		4–6	Medium
		7–9	Large
Digital filter function	F+6	1	On
		2*	Off
Manual industrial door opening	A	1	Switch off both relays
		2	Switch on relay 1
		3	Switch on relay 2
Exit configuration mode	A	4	
Reset	A	9	Reset to original factory settings



People/Vehicle Identification:

Choose whether differentiation between people and vehicles is desired. If so, the minimum mounting height of the sensor is 3 meters!