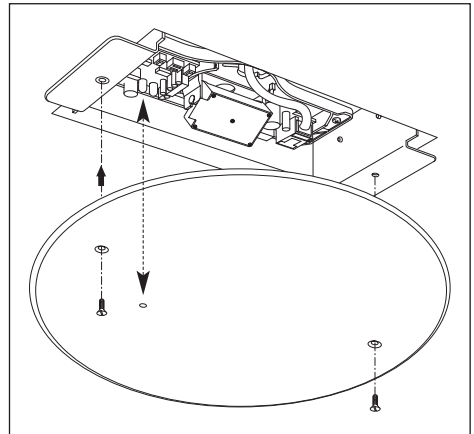
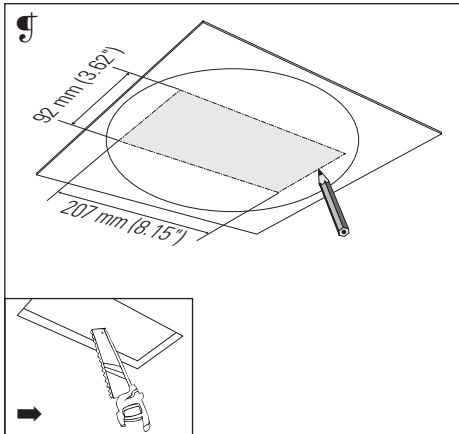
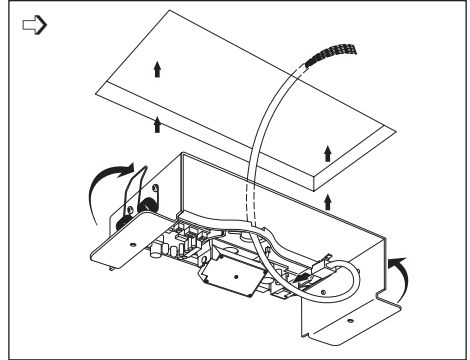
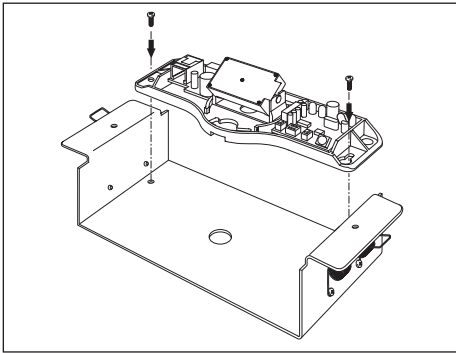


MIS (Merkur)

RE-CR (Reflex)



No.	a x b x c	Ø
212840	223 x 86 x 50 mm (8.8" x 3.4" x 2.0")	246 mm (9.7")