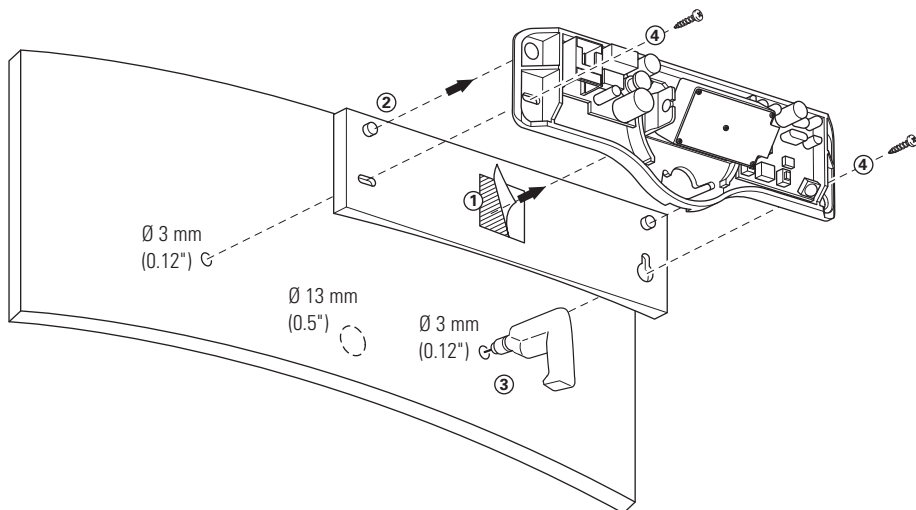


MCL (Mercur)

RE-CD (Reflex)



No.	Type	a x b x c	Ø
212527	<ul style="list-style-type: none"> MCL 1.0 RE-CD 1.0 	175 x 40 x 5.4 mm (6.9" x 1.6" x 0.2")	2.0–3.6 m (78–142")
212528	<ul style="list-style-type: none"> MCL 2.0 RE-CD 2.0 	175 x 40 x 3.7 mm (6.9" x 1.6" x 0.15")	3.6–6.0 m (142–236")