

Connection descriptions

for PrimeTec A ES.SM.V and PrimeTec A ES.SM.F

These interfaces are suited to activating and protecting sliding doors for escape and rescue routes

PrimeTec A ES.SM.V

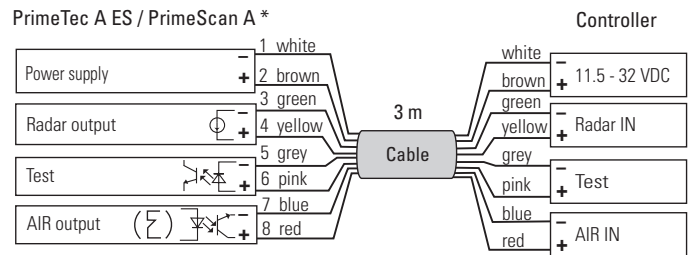
1 Description

Voltage source as output for direct connection of two optocouplers in series.

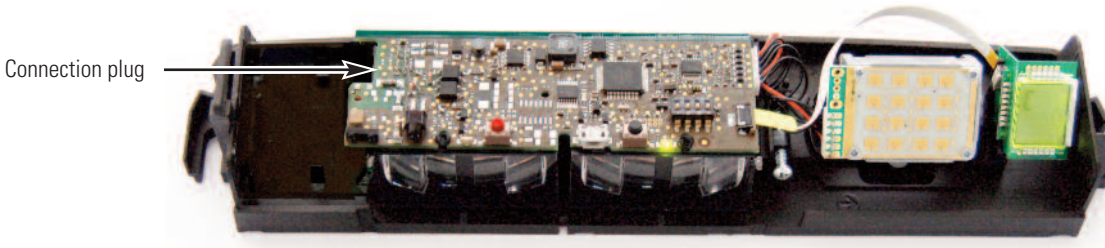
Output current: 10 mA @ 3.2 V
Output voltage: min. 5 V (no-load)

Output status:
 Output voltage present → No detection, no error
 Output voltage < 3 VDC → Detection or error or No output current

2 Electrical connections



3 Connection directly via plug (main PCB)



PrimeTec A ES.SM.F

1 Description

Frequency output as NPN-PNP push-pull output stage

Power supply for output stage, external: (Uin - / Uin +) 12 to 36 VDC

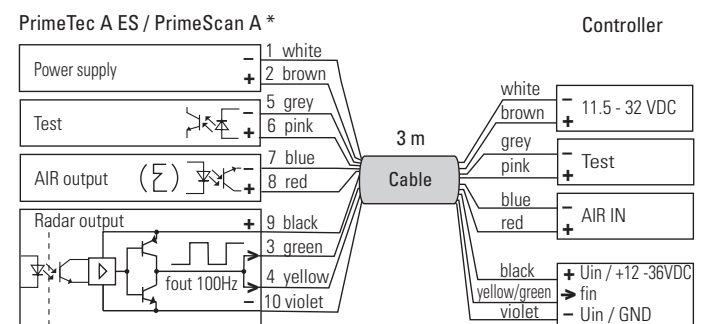
Output current: max. 50 mA
Residual voltage: max. 2V

Output frequency (square): f = 100 Hz +10 Hz
 → No detection, no error

Output frequency (square): f = 0 → Detection or error

Pulse-pause ratio: 1:1
Deviation: max. 10%

2 Electrical connections



Uin + (black) and Uin - (violet) = External power supply of electrically isolated radar output (12-36 VDC)

3 Connection via additional PCB

