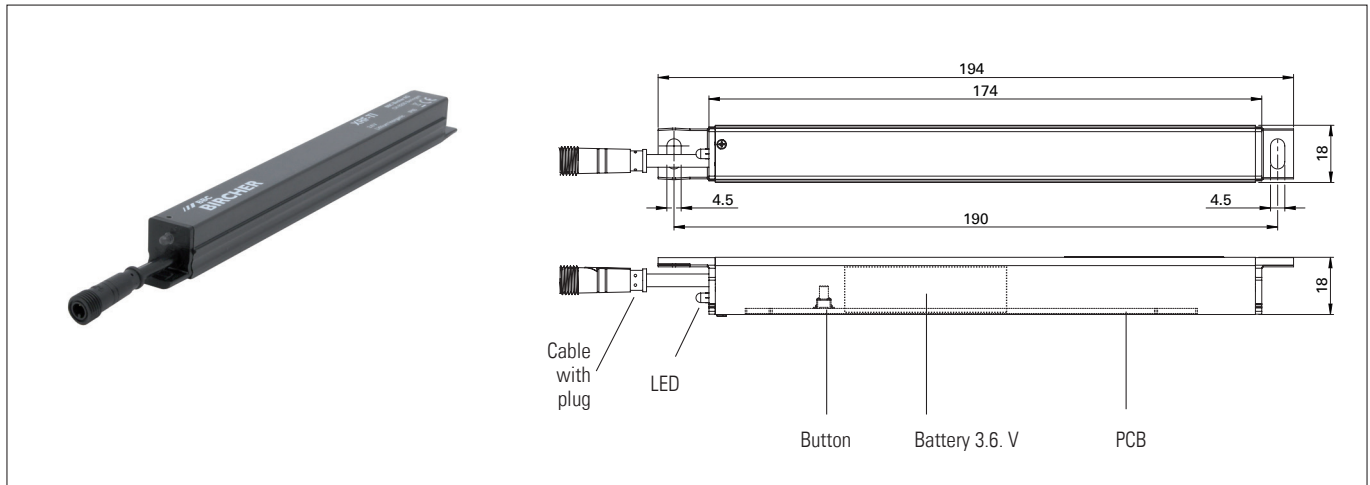


XRF-TI

Transmitter for wireless signal transmission system for safety edges

Supplementary sheet to the original operating instructions

Intended use: Monitoring safety edges on doors and gates, in combination with the XRF-Rx receiver



1 Set-up

1.1 Connect battery

- ① Loosen screw
- ② Carefully pull out the PCB
- ③ Plug in connector
- ④ LED flashes 5x (confirms battery connected)
- ⑤ Pairing (1.2) if required
- ⑥ Slide in the PCB again
- ⑦ Close the housing, tighten the screw

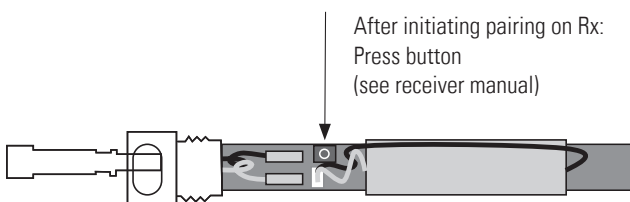
Note: Position of red wire

Note: Alignment of battery, position of wire

1.2 Pairing

Pairing is possible with open transmitter or later in mounted situation.

1.2.a Pairing at open state



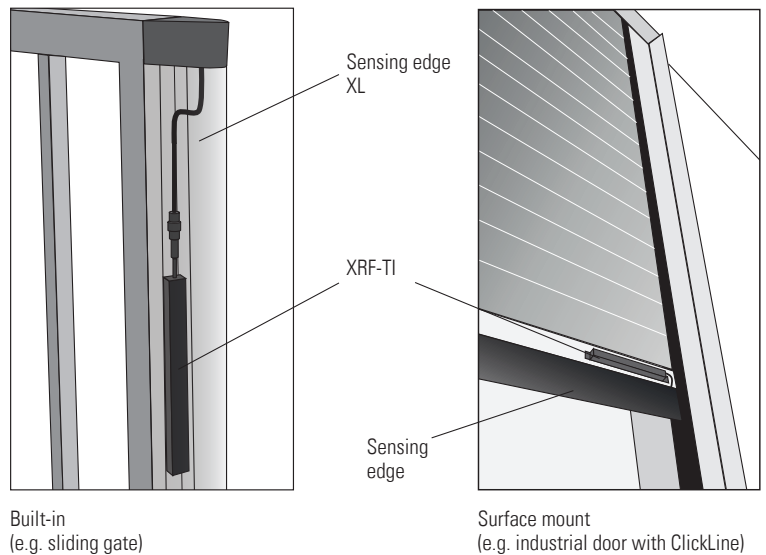
1.2.b Pairing at built-in state

After initiating pairing on Rx, press the edge two times within 2 sec.



1.3 Mounting

XRF-TI is designed for the concealed installation in the contact profiles of ExpertSystem (see assembly and mounting instruction). However it can be wired with other safety edges eg. where space is limited.



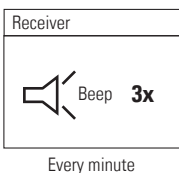
1.4 System check



Check the system by pressing the **safety edge**

2 Trouble shooting

2.1 Warning indicator for low battery voltage (1 – 2 months to cease operation)



To find out which transmitter has low battery voltage: Press each edge.



Battery good



Battery bad

2.2 Battery change

- ① Order new battery (prepared with connector)
- ② Pull out the PCB (see 1.1.)
- ③ Disconnect (the) plug and remove battery
- ④ Insert new battery, plug in connector
- ⑤ Slide in the PCB
- ⑥ Close the cover again
- ⑦ **System test mandatory!**
- ⑧ Dispose battery acc. to local regulations

3 Technical data

Input	8.2 kOhm
Battery power	1x Lithium Inorganic 3.6 V
Battery life	Typ. 7 years
Operating frequency	868.3 MHz

4 EU Declaration of Conformity



5 WEEE



Devices with this symbol must be treated separately during disposal. This must be done in accordance with the laws of the respective countries for environmentally sound disposal, processing and recycling of electrical and electronic equipment.

6 Contact

BBC Bircher Smart Access, BBC Bircher AG, Wiesengasse 20, CH-8222 Beringen, www.bircher.com

Designed in Switzerland / Made in China