

# RFGate 2.2.F.A

306921B

Radio transmission system, consisting of 2 transmitter RFGate 2.2.S.F and 1 receiver RFGate 2.2.R.A

## General data

Channels	2
Input	Programmable for safety edge (8k2) / NC / NO
Range	100 m at optimum conditions
Communication	Bidirectional
Frequency bands	868.95 MHz / 869.85 MHz
Radiated power	< 5 dbm / 3 mW

## Mechanical data

Material (housing)	Polyamide light grey
Connection	4 screw terminals

## Electrical data

Supply voltage	2 Lithium batteries 3V (CR2032)
Battery life	Typ. 2 years
Current consumption	Transmitting: 17mA; idle state: 16µA
Input	Programmable for safety edge (8k2) or contact NC or NO
Available codes	65'536
Dip-switches	Factory setting: ON, OFF, see picture

## Mechanical data

Material (housing)	Polyamide grey
Connection	12 screw terminals

## Electrical data

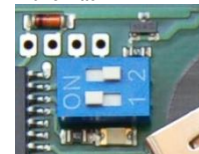
Supply voltage	12–24 VAC/DC –10% / +20%
Power consumption	0.5 W at 12 V / 1,2 W at 24 V
Transmitter memory	7 transmitters per channel
Output	2 Relays 24 VDC, 1A; with parallel resistance 8,2 kOhm as option
Test input	Galvanically isolated, NC or NO (adjustable with DIP-switch)
Display	3 LEDs (2 status outputs; 1 programming)
Dip-switches	5; factory setting: ON, OFF, OFF, OFF, ON, see picture
Low battery indication	Acoustical and optical
Factory setting Dip-switches	

## Ambient conditions

Protection category	IP55
Operating temperature	-20°C to +55°C
Storage temperature	-40°C to +80°C
Rel. air humidity	< 95%, non-condensing
Approvals	EN 300 220, EN 301 489 EN ISO 13849-1 (PL c, Cat.2, MTTFd 28.8)



Transmitter



Receiver



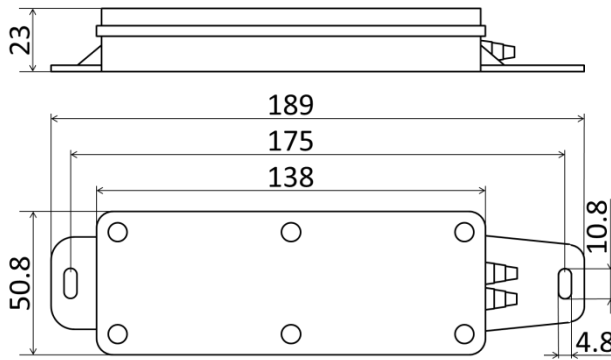
**Scope of Delivery:**

One RFGate 2.2.F.A includes:

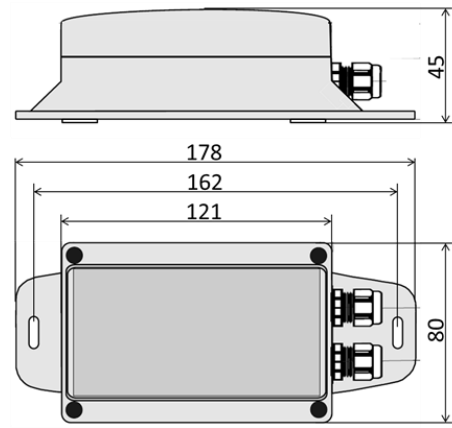
- 2 **340871** RFGate 2.2.S.F Transmitter, slim housing, 1 screw inserted
- 1 **306923** RFGate 2.2.R.A Receiver, housing with cable gland, 2 screws inserted
- 4 Batteries CR2032
- 1 Manual de (308076)
- 1 Manual en (308077)
- 1 Manual fr (308078)
- 1 Manual it (308111)
- 1 Manual nl (308110)
- 1 Manual sv (308079)
- 1 Plastic bag with 12 screws to fix the covers and 6 screws for mounting

Packed in a cardboard box 200 x 170 x 120 mm

**Dimensions:**



Transmitter



Receiver