

RFGate 2.2.NG.F

336806A

DATASHEET

Radio transmission system, consisting of 1 transmitter RFGate 2.2.S.F and 1 receiver RFGate 2.2.R.A

General data

Channels	2
Input	Programmable for safety edge (8k2) / NC / NO
Range	100 m at optimum conditions
Communication	Bidirectional
Frequency bands	868.95 MHz / 869.85 MHz
Radiated power	< 5 dbm / 3 mW

Mechanical data

Transmitter

Material (housing)	Polyamide light grey
Connection	4 screw terminals

Electrical data

Transmitter

Supply voltage	2 Lithium batteries 3V (CR2032)
Battery life	Typ. 2 years
Current consumption	Transmitting: 17mA; idle state: 16µA
Input	Programmable for safety edge (8k2) or contact NC or NO
Available codes	65'536
Dip-switches	Factory setting: ON, OFF, see picture

Mechanical data

Receiver

Material (housing)	Polycarbonate grey
Connection	12 screw terminals

Electrical data

Receiver

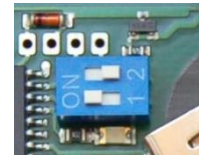
Supply voltage	12–24 VAC/DC –10% / +20%
Power consumption	0.5 W at 12 V / 1.2 W at 24 V
Transmitter memory	7 transmitters per channel
Output	Relay 24 VDC, 1A; with parallel resistance 8,2 kOhm as option
Test input	To be provided by a galvanically isolated contact NC or NO (adjustable with DIP-switch)
Display	3 LEDs (2status outputs; 1 programming)
Dip-switches	5; factory setting: ON, OFF, OFF, OFF, see picture
Low battery indication	Acoustical and optical

Ambient conditions

Protection category	IP55
Operating temperature	-20°C to +55°C
Storage temperature	-40°C to +80°C
Rel. air humidity	< 95%, non-condensing
Approvals	EN 300 220, EN 301 489 EN ISO 13849-1 (PL c, Cat.2, MTTFd 28.8)



Transmitter



Receiver

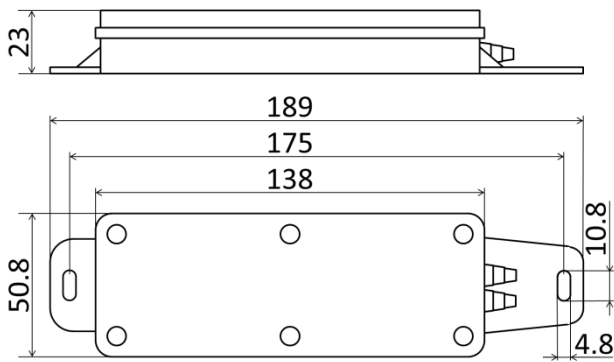


Scope of Delivery:

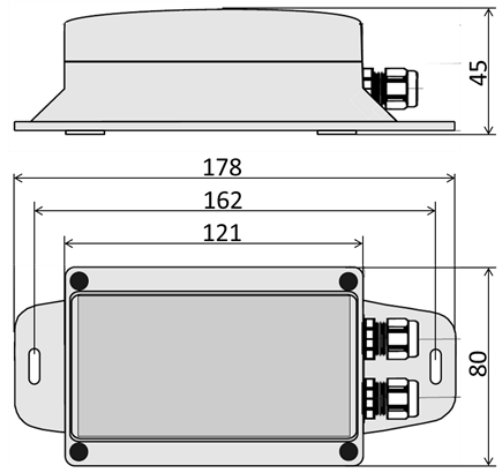
- One RFGate 2.2.NG.F includes:
- 1 340871 RFGate 2.2.S.F Transmitter, slim housing, 1 screw inserted
 - 1 306923 RFGate 2.2.R.A Receiver, housing with cable gland, 2 screws inserted
 - 2 Batteries CR2032
 - 1 Manual de (308076)
 - 1 Manual en (308077)
 - 1 Manual fr (308078)
 - 1 Manual it (308111)
 - 1 Manual nl (308110)
 - 1 Manual sv (308079)
 - 1 Plastic bag with 7 screws to fix the cover and 6 screws for mounting

Packed in a cardboard box 190 x 130 x 85 mm

Dimensions (transmitter and receiver):



Transmitter



Receiver