

CareMat B

The pressure-sensitive mat for supervision of people with dementia and disorientation

Product Description

CareMat is used in retirement and nursing homes as well as in hospitals and similar facilities. It is placed beside the patient's bed or by the room door exit. In both cases the CareMat is connected to the in-house nurse call system. As soon as the person leaves the bed or the room he will step onto the CareMat and a signal is triggered via the nurse call system. This allows the personnel on duty to establish at any time of the day or night, when and where a patient got out of bed or is leaving the room. As a result, CareMat contributes to providing assistance immediately, thus significantly reducing the risk of falls or the danger of patient wandering.



Selection chart

| | CareMat | B | 0 | 1 | T | E868 |
|--------------------------------|---------|---|---|---|---|------|
| ▪ Dimension code | | | | | | |
| A | | | | | | |
| B | | | | | | |
| C | | | | | | |
| M | | | | | | |
| ▪ Colour code | | | | | | |
| 0 | | | | | | |
| 1 | | | | | | |
| ▪ Case code | | | | | | |
| 1 | | | | | | |
| ▪ Type code | | | | | | |
| E | | | | | | |
| C | | | | | | |
| P | | | | | | |
| T | | | | | | |
| ▪ Transmitter type code | | | | | | |
| B434 | | | | | | |
| E868 | | | | | | |
| L433 | | | | | | |
| L869 | | | | | | |
| L869.23 | | | | | | |

Features

- Dimensions 700 x 400 mm
- Hard-wired and wireless versions
- A robust and reliable alarm sensor
- Hygienic: Easy to clean and resistant to bodily fluids

Content

- 1 Product description
Selection chart
Features
- 2 Model list
Technical specifications
- 3 Technical specifications
CareMat dimensions
Case dimensions
- 4 Technical specifications
CareMat dimensions
Case dimensions
- 5 Product details

CE The texts of the EU Declaration of Conformity are available at the following address:
www.smartaccess.bircher.com/downloads-bbc-bircher-smart-access

Model list

| Product | Colour | Part number | Description | |
|---------|--------------|-------------|-------------|---|
| CareMat | B01E | Careyellow | 303418 | 700 x 400 mm / empty housing |
| | B11E | Caregrey | 357812 | |
| CareMat | B01C | Careyellow | 303417 | 700 x 400 mm / cable |
| | B11C | Caregrey | 357811 | |
| CareMat | B01P | Careyellow | 307497 | 700 x 400 mm / universal PCB with cable |
| | B11P | Caregrey | 357813 | |
| CareMat | B01T B434 | Careyellow | 303386 | 700 x 400 mm / TeleAlarm radio transmitter 434.01 MHz |
| | B11T B434 | Caregrey | 357809 | |
| CareMat | B01T E868 | Careyellow | 303388 | 700 x 400 mm / ELDAT radio transmitter 868.30 MHz |
| | B11T E868 | Caregrey | 357810 | |
| CareMat | B01T L433 | Careyellow | 336672 | 700 x 400 mm / Lehmann radio transmitter 433.92 MHz |
| | B11T L433 | Caregrey | 357814 | |
| CareMat | B01T L869 | Careyellow | 336675 | 700 x 400 mm / Lehmann radio transmitter 869.2125 MHz |
| | B11T L869 | Caregrey | 357815 | |
| CareMat | B01T L869.23 | Careyellow | 356639 | 700 x 400 mm / Lehmann radio transmitter 869.2375 MHz |
| | B11T L869.23 | Caregrey | 357816 | |

Technical Specifications

Characteristics

CareMat General

| | |
|--------------------------|--|
| Dimensions | Surface: 700 x 400 x 9.5 mm / height standard case 1: 14.5 mm |
| Weight | 3.2 kg |
| Material | Polyurethane PU |
| Colour | Careyellow / Caregrey |
| Surface | Nub structure with sloped edges |
| Person activation weight | Min. 10 kg |
| Chemical resistance | Water, bodily fluids, commercially available disinfectants, max. 70 % vol. alcohol |
| Protection class | IP54, dust- and splash-proof |
| Temperature range | 0 to +55 °C |

CareMat versions with cable

CareMat B01E / B11E

| | |
|------------|--|
| Connection | This CareMat can be equipped by cable or various transmitters. |
|------------|--|

CareMat B01C / B11C

| | |
|---------------------|--|
| Cable | Length 3 m, diameter 5.2 ± 0.2 mm, cable colour white |
| Cable type | 4-wire, LiYYv 4 x 0.34 mm ² , wire colours BN/YE/GN/WH, open cable head |
| Cable as spare part | According to above specifications available, part number 307131 |
| Signal output | Normally open contact (NO) |
| Admissible capacity | Max. 50 mA at 48 V AC/DC |

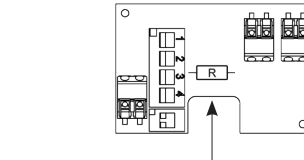
CareMat B01P / B11P

| | |
|---------------------|--|
| Cable | Length 3 m, diameter 5.2 ± 0.2 mm, cable colour white |
| Cable type | 4-wire, LiYYv 4 x 0.34 mm ² , wire colours BN/YE/GN/WH, open cable head |
| Cable as spare part | According to above specifications available, part number 307131 |
| Signal output | Normally open contact (NO) or resistance monitoring (acc. to VDE 0834) |
| Operating voltage | 3-24 VDC |
| Operating current | Max. 25 mA |

Functionalities universal PCB The CareMat B01P / B11P (P = circuit board) includes a universal circuit board in the housing. The universal circuit board can be adapted to your needs by altering the switch positions. The wiring on the universal circuit board must not be removed. The connections are protected against wrong polarity of input voltage.

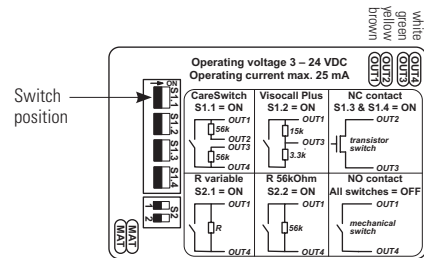
Variable resistance R

The universal circuit board has two connector sockets for commercially-available wired resistors. A call resistor that is specifically for the call system for line monitoring can be installed in this. The connecting wiring should have a diameter between 0.38 and 0.56 mm. The socket spacing should be 14 mm.



NC contact

The NC (normally closed) contact option, which can be selected on the universal PCB, is a transistor circuit. It operates according to the quiescent current principle. If the CareMat is not actuated, a quiescent current flows through the NC contact as a result of the externally applied voltage. If the resident / patient actuates the CareMat by stepping on it, this NC contact is opened. This can be detected by a nurse call system operating according to the quiescent current principle that monitors the current flow.



CareMat wireless versions

CareMat B01T B434 / B11T B434

| | |
|-------------------|--|
| Radio transmitter | TeleAlarm, 1 channel, unidirectional |
| Radio frequency | 434.01 MHz, TeleAlarm protocol |
| Radio range | up to 30 m in buildings, dependent on structural building conditions (up to 250 m in free field) |
| Battery type | 1 x CR2032, 3V Lithium button cell |
| Battery lifetime | 3 years (at 3 alarms and 1 daily test transmission) |

CareMat B01T E868 / B11T E868

| | |
|-------------------|--|
| Radio transmitter | ELDAT, 1 channel, unidirectional |
| Radio frequency | 868.30 MHz, EasyWave® protocol |
| Radio range | up to 30 m in buildings, dependent on structural building conditions (up to 250 m in free field) |
| Battery type | 1 x CR2032, 3V Lithium button cell |
| Battery lifetime | 2 years |

CareMat B01T L433 / B11T L433

| | |
|--------------------|--|
| Radio transmitter | Lehmann electronic VarioRec®, 1 channel, unidirectional |
| Radio frequency | 433.92 MHz, VarioRec® protocol |
| Radio range | up to 30 m in buildings, dependent on structural building conditions (up to 100 m in free field) |
| Battery type | 1 x CR2032, 3V Lithium button cell |
| Battery lifetime | 3 years |
| Battery monitoring | Battery low message |

Characteristics

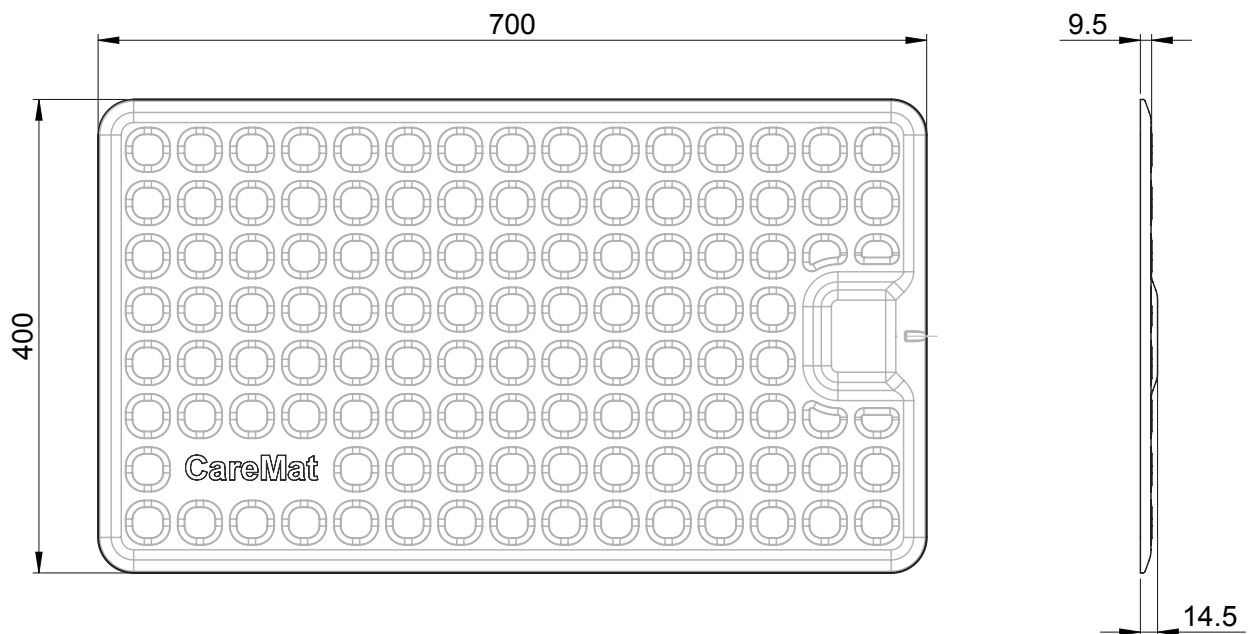
CareMat B01T L869 / B11T L869

| | |
|--------------------|--|
| Radio transmitter | Lehmann electronic VarioRec®, 1 channel, unidirectional |
| Radio frequency | 869.2125 MHz, VarioRec® protocol |
| Radio range | up to 30 m in buildings, dependent on structural building conditions (up to 100 m in free field) |
| Battery type | 1 x CR2032, 3V Lithium button cell |
| Battery lifetime | 3 years |
| Battery monitoring | Battery low message |

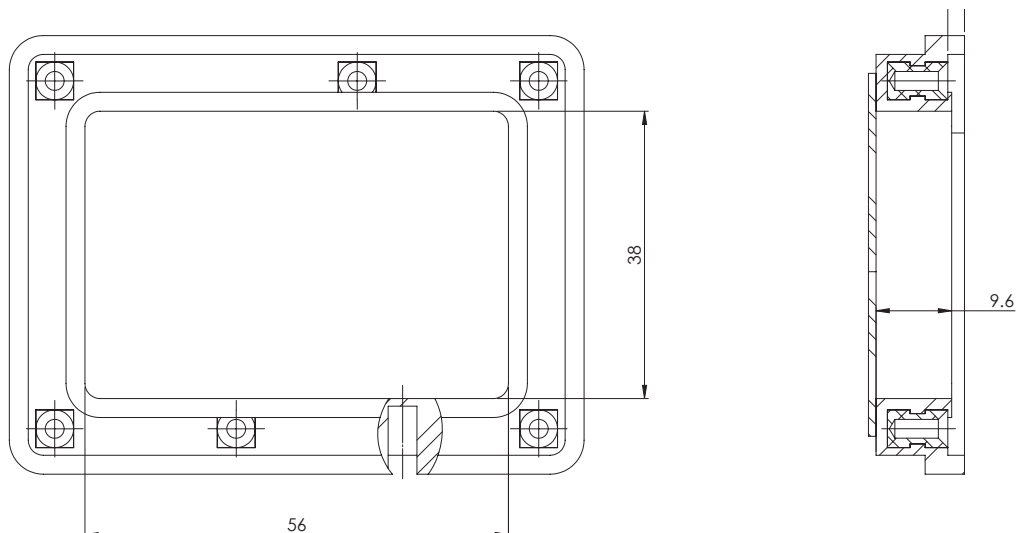
CareMat B01T L869.23 / B11T L869.23

| | |
|--------------------|--|
| Radio transmitter | Lehmann electronic VarioRec®, 1 channel, unidirectional |
| Radio frequency | 869.2375 MHz, VarioRec® protocol |
| Radio range | up to 30 m in buildings, dependent on structural building conditions (up to 100 m in free field) |
| Battery type | 1 x CR2032, 3V Lithium button cell |
| Battery lifetime | 3 years |
| Battery monitoring | Battery low message |

CareMat Dimensions

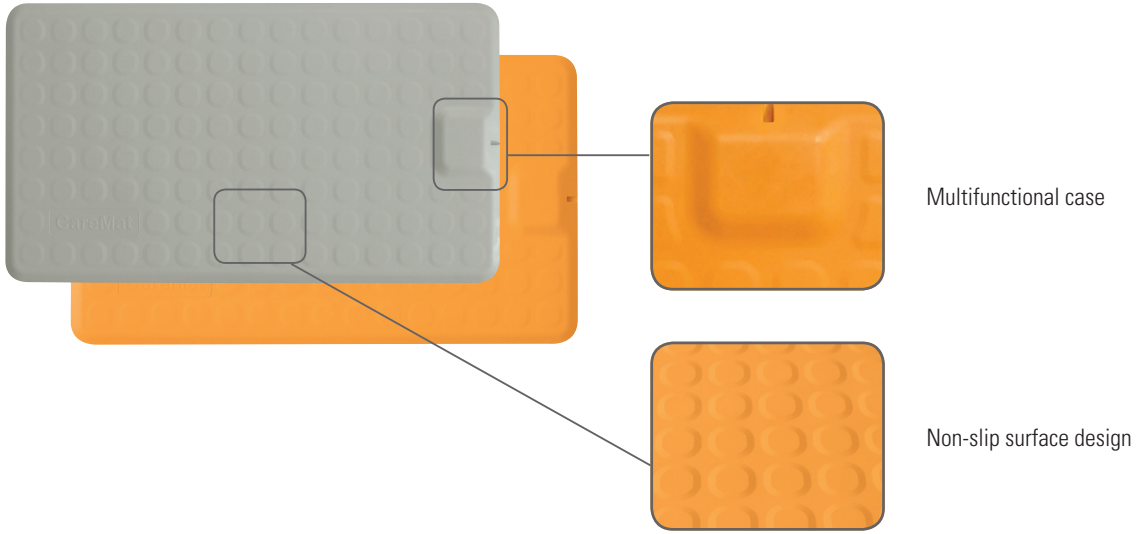


Case Dimensions (Standard)

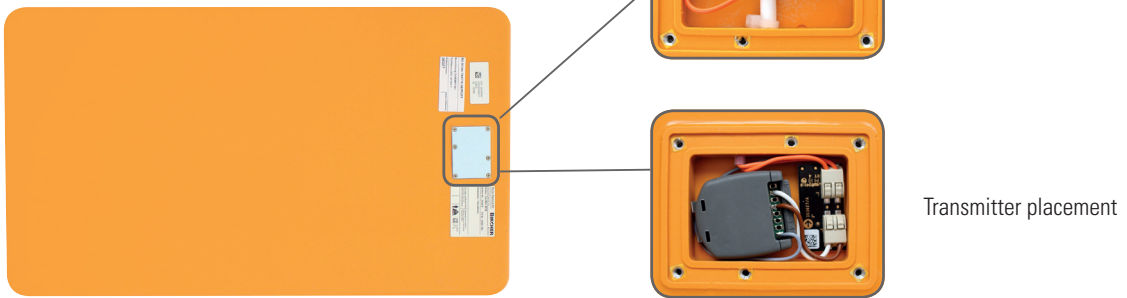


Product Details

Front



Back



Packaging



Find out more about the product online
www.caremat.ch

