

RFGate 2.2.W2.F.A

Part No. 365399

DATASHEET

Dual channel radio transmission system

System with one receiver and two transmitters, one for safety edges, one with integrated wicket door switch

General data

Frequency bands	868.95 MHz / 869.85 MHz
Range in m	100 at optimum conditions
Communication	Bidirectional
Radiated power	< 5 dbm / 3 mW

Receiver

RFGate 2.2.R.A

Dimensions	178 x 80 x 45 mm
Material (housing)	Polyamide grey
Terminals	12 screw terminals
Supply voltage	12–24 VAC/DC –10% / +20%
Power consumption	0.5 W at 12 V / 1,2 W at 24 V
Transmitter memory	7 transmitters per channel
Outputs	relay 24 VDC, 1A
Option	with parallel resistor 8,2 kOhm
Test input	galvanically isolated, NC or NO (adjustable by DIP-switch)
Display	3 LEDs (2 x status output; 1 x programming)
Low battery indication	Acoustical and optical
Dip-switches	5; factory setting: ON, OFF, OFF, OFF, ON
Available codes	65'536

Transmitters

General data

Supply voltage	2 Lithium batteries 3V (CR2032)
Battery life	Typ. 2 years (type RENATA)
Current consumption	Transmitting: 17mA; idle state: 16µA

Transmitter 1

RFGate 2.2.S.F

Dimensions	189 x 50.8 x 23 mm
Material (housing)	Polyamide light grey
Terminals	4 screw terminals
Input	Programmable for safety edge (8k2) or contact NC or NO
Dip-switches	Factory setting: ON, OFF

Transmitter 2

RFGate 2.1.W2.S

Dimensions (transmitter / magnet)	58 x 66 x 16 mm / 17 x 66 x 16 mm
Material (housing)	ABS light grey
Switching distance	5 mm
Display	LED red (flashes when actuated)

Ambient conditions

Protection category	IP55
Operating temperature	-20°C to +55°C
Storage temperature	-40°C to +80°C
Rel. air humidity	< 95%, non-condensing

Approvals

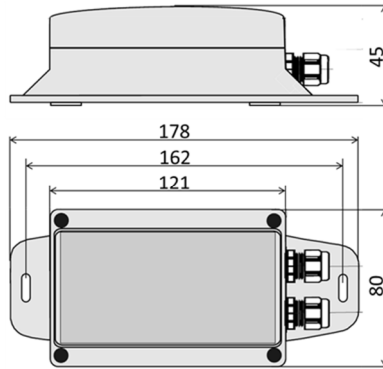
EN 300 220, EN 301 489
EN ISO 13849-1 (PL c, Cat.2, MTTFd 28.8)

Box contents

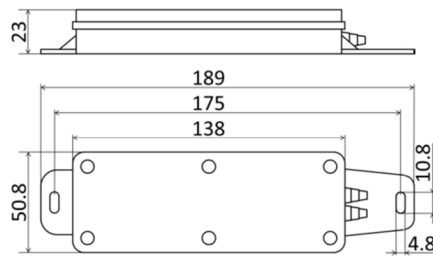
Receiver, 2 transmitters, 4 batteries, 6 instruction manuals (de, en, fr, it, nl, sv), mounting material
Packed in a cardboard box 200 x 170 x 120 mm



Dimensions
Receiver



Transmitter 1



Transmitter 2

