

ES-Button

Part No.: 210970

ES-Button is a flat button used to control different machine functions

ES-Button can be mounted horizontally or vertically to be easily actuated by hand, foot or arm.

The extremely robust design allows it to be used in a contaminated as well as in a moist environment, where it is subject to heavy mechanical loads.

Mechanical data

Dimensions	150 x 150 x 15 mm
Material (> 1% by weight)	Polyurethane black/yellow Fibreglass epoxy resin Copper
Material hardness	80 ±5 Shore A
Weight	250 gr (400gr. with 5m cable)
Actuating force	35 N typical
Actuating distance / Pre-travel	0.5 mm
Switching cycles...	> 1mio (load: 400N, 10V/1mA)

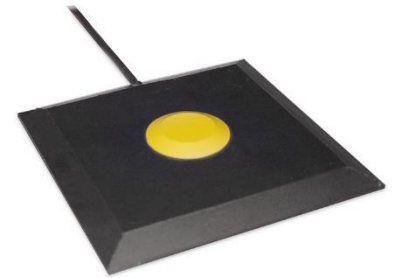
Electrical data

Output	Potential-free, NO
Electrical load	Max. 48 V, 0.1 A
Cable	5 m, 2 x 0.5 mm ²
Insulating strength	> 1500 V AC

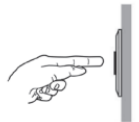
Ambient conditions

Degree of protection	IP 67 (acc. to EN 60529 without cable ends)
Ambient temperature (operating and storage)	-25°C to +70°C

Chemical resistance of PUR	Weather, ozone, oils, petrol, water 20°C, solvents, acids
----------------------------	---



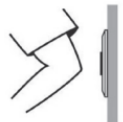
■ By hand



■ By foot



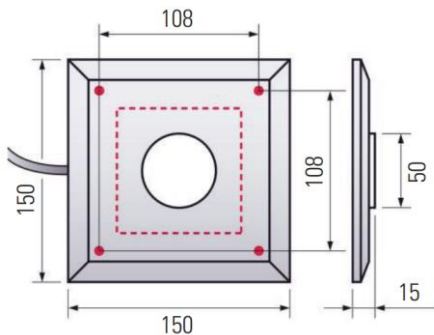
■ By arm



Box contents

EsButton, CE document in clear plastic bag 32 x 23 cm

Dimensions



- Active switching zone
- Marking for the mounting hole (max. 6 mm diameter)