

LBGate

Light barriers for industrial doors/gates
& specialty applications

Safe, simple, reliable

- **User-friendly: simple adjustment & alignment**
- **Robust waterproof housing**
- **Excellent optical properties**
- **Insensitive to extraneous light**



LBGate

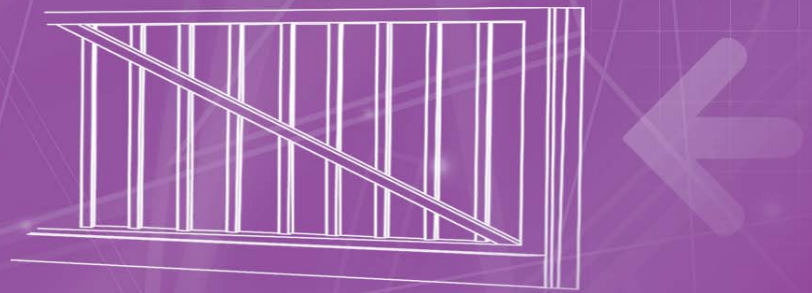
Light barriers for industrial doors/gates & specialty applications

The LBGate family of light barriers is suitable for a wide variety of applications and offers reliable detection up to a range of 100 feet (30 m). The polarization principle allows for reliable detection of all objects, including those that are shiny or reflective.

Our light barrier portfolio includes a range of products to meet your needs. Optimize space with the compact LBGate R18 or T18 featuring pre-wired cables or maximize your installation flexibility through the clamp terminals of the R25. Cut installation time by utilizing the reflective technology of the LBGate R25 or R18 – only one device needs to be wired to the door operator. Extend operating range by choosing the through-beam T18 model. LBGate is your safe, simple, and reliable choice.



LBGate R25
Reflective light barrier



Your benefits

Quick start-up

- Alignment is simple: the status LED on the receiver illuminates as soon as the light emitted by the transmitter is received.

Robust and reliable

- Outstanding detection, including shiny and reflective objects by means of the polarization principle.

Integrated electronics

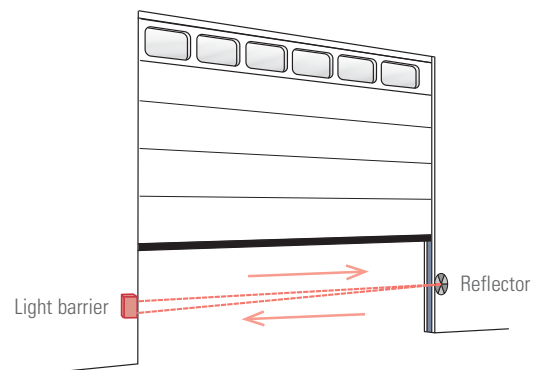
- The electronics are completely integrated into the housing – no need for an additional external controller or power supply.

Flexible installation

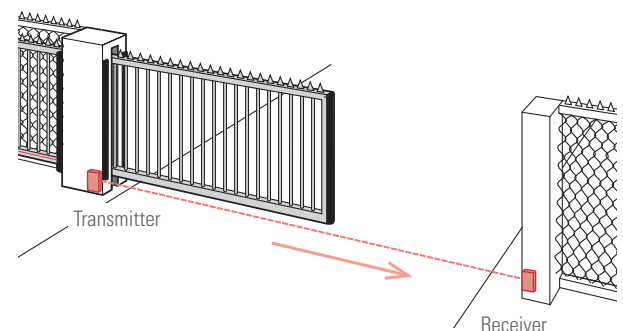
- The optional surface mounting bracket or recessed wall housing allow for optimal mounting flexibility.

Technology overview

Reflective light barrier (R25 & R18)



Thru-beam light barrier (TB18)





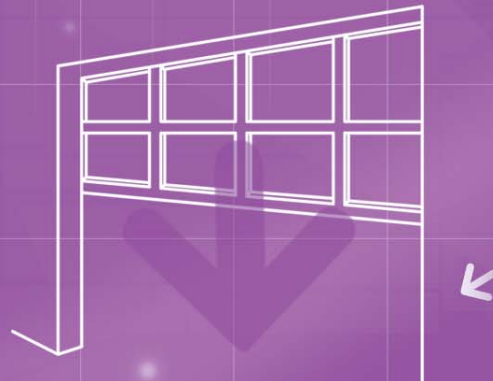
LBGate R18
Reflective light barrier



LBGate TB18
Thru-beam light barrier

Product selection guide

	R25	R18	TB18
Compact housing		X	X
Single device installation	X	X	
Extended range			X
Pre-wired cable		X	X
Clamp wiring terminals	X		
Recessed mounting avail.	X		



Applications

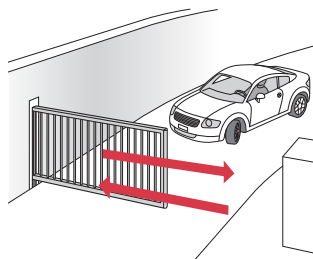
Industrial Doors

- LBGate will detect a person or vehicle in the closing path of the door and send a signal to the door operator which can then hold the door open or reverse if the door is already in motion.



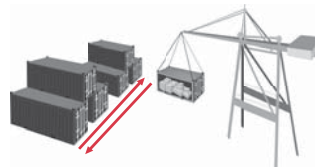
Sliding Gates

- Protect people/vehicles in the closing path of a gate through reliable touchless detection.



Material Handling/ Industrial Sensing

- Thanks to simple, precise detection, light beams can be safely & reliably used for a variety of industrial sensing & positioning applications.

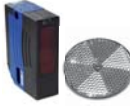




Escalators





- The escalator can run in slower energy-saving mode and return to full speed when a person is detected.






Order Details

Part no.	Description	
212063	LBGate R25 Reflective light barrier (light switching) including LBGate REF84 reflector Note: fixing bracket must be ordered separately	
316762	LBGate R18 Reflective light barrier including LBGate REF84 reflector and mounting bracket	
316763	LBGate TB18 Thru-beam light barrier including transmitter + receiver and mounting bracket	

Accessories

Part no.	Description	
212121	LBGate REF84 Additional polarized reflector, Ø 3 5/16" (84 mm)	
212120	LBGate REF46 Additional polarized reflector, Ø 1 13/16" (46 mm)	
212109	LBGate HW25 Mounting bracket for LBGate R25	
212100	Recessed wall housing For LBGate R25 white plastic housing with milled aluminum faceplate	

Supplementary Products

Hercules 2s Microwave motion sensor for activation of industrial doors & gates	
ClickLine/CoverLine Electrical sensing edges for safeguarding closing edges of industrial doors & gates	
ProLoop2 Loop detector for activation of automatic doors & gates	

Note

Technical details and recommendations concerning our products are based on experience and are an aid for the orientation of the user. Details stated in our brochures and data sheets do not guarantee special properties of the products. This does not apply to special product properties confirmed by us in writing or individually. Subject to technical alterations.

Technical data

Mechanical data

Housing material	R18 PC TB18 PC R25 ABS
Weight	R18 5 1/2 oz (154 g) TB18 8 3/4 oz (247 g) R25 3 1/2 oz (101 g)
Dimensions	R18/TB18 2 1/2 x 1 1/2 x 3/4" (62 x 35 x 18 mm) R25 3 1/2 x 2 1/2 x 1" (90 x 66 x 26 mm)
Connection type	R18 Pre-wired cable – 6' 6" (2 m) TB18 Pre-wired cable – 6' 6" (2 m) R25 Clamp-type terminals

Technical data

Technology	Red light
Beams	1
Aperture angle	R18 3° TB18 0.5°/1.5° R25 ±1°
Operating range	R18 30' (9 m) TB18 100' (30 m) R25 35' (10.5 m)
Response time	R18 25 ms TB18 25 ms R25 50 ms

Electrical data

Supply voltage	R18 24–230 VAC, 12–230 VDC TB18 24–230 VAC, 12–230 VDC R25 24–230 VACDC
Power consumption	R18 < 2 VA TB18 < 1 VA + < 1 VA R25 0.2 W at 24 VDC 1.8 VA at 230 VAC
Output	Relay, changeover contact (form C)
Switching voltage	R18 240 VAC TB18 250 VAC R25 230 VAC
Switching current	R18 < 3 A TB18 < 3 A R25 < 2 A

Environmental conditions

Protection class	IP67
Operating temperature	R18/TB18 –15° to 130° F (–25° to 55°C) R25 –5° to 140° F (–20° to 60°C)

Standards

Electr. safety	EN 60947-5-2
Electrical isolation	EN 62103

BBC Bircher Smart Access

870 Pratt Ave N
Schaumburg, IL
Phone 847 952 3730
Fax 847 952 2005
america@bircher.com
www.bircher.com